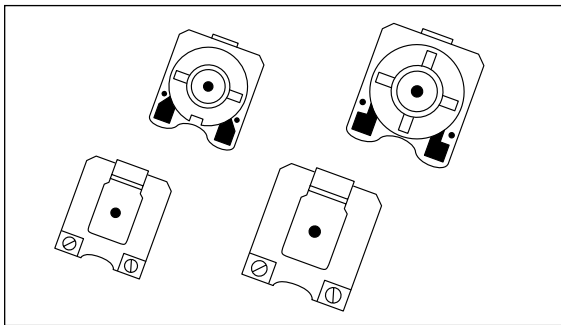


Thick Film Chip Trimmer Potentiometers



CVR-32 / CVR-42 / CVR-43 Series



HOW TO ORDER

CVR 4 3 C - 223 S W 1 □
 ① ② ③ ④ ⑤ ⑥ ⑦ ⑧ ⑨

- ① **Chip Trimmer Potentiometer**
- ② **Size:** 4 = 4mm, 3 = 3mm
- ③ **Terminal Number:**
 2 = 2 terminals
 3 = 3 terminals (except for CVR-3)
- ④ **Circuit Type:**
 A = Voltage adjustment
 C = Current adjustment (except for CVR-3)
- ⑤ **Nominal Resistance Value:**
 3 digits (2 significant digits and 1 number of zeros)
- ⑥ **Adjustment Method:**
 S = Standard
 G = Automatic
 R = Bottom (CVR-43 only)
- ⑦ **Packaging:**
 B = Bulk
 W = Taping (W direction)
 X = Taping (X direction) option
- ⑧ **Standard Quantity per Package:**
 CVR42, 43: 1 = 1,000 pcs, 5 = 5,000 pcs
 CVR32: 2 = 2,000 pcs, 5 = 5,000 pcs, 0 = 10,000 pcs
- ⑨ **Others**

Standard Values

Style	Full Resistance Value (Ω , k Ω , M Ω)	Code	
		(a)	(b)
CVR-□□□-101	100 Ω	1	1
CVR-□□□-151	150 Ω	A	1
CVR-□□□-201	200 Ω	2	1
CVR-□□□-221	220 Ω		1
CVR-□□□-301	300 Ω	3	1
CVR-□□□-331	330 Ω		1
CVR-□□□-471	470 Ω	4	1
CVR-□□□-501	500 Ω	5	1
CVR-□□□-681	680 Ω	6	1
CVR-□□□-102	1.0k Ω	1	2
CVR-□□□-152	1.5k Ω	A	2
CVR-□□□-202	2.0k Ω	2	2
CVR-□□□-222	2.2k Ω		2
CVR-□□□-302	3.0k Ω	3	2
CVR-□□□-332	3.3k Ω		2
CVR-□□□-472	4.7k Ω	4	2
CVR-□□□-502	5.0k Ω	5	2
CVR-□□□-682	6.8k Ω	6	2
CVR-□□□-103	10k Ω	1	3
CVR-□□□-153	15k Ω	A	3
CVR-□□□-203	20k Ω	2	3
CVR-□□□-223	22k Ω		3
CVR-□□□-303	30k Ω	3	3
CVR-□□□-333	33k Ω		3
CVR-□□□-473	47k Ω	4	3
CVR-□□□-503	50k Ω	5	3
CVR-□□□-683	68k Ω	6	3
CVR-□□□-104	100k Ω	1	4
CVR-□□□-154	150k Ω	A	4
CVR-□□□-204	200k Ω	2	4
CVR-□□□-224	220k Ω		4
CVR-□□□-304	300k Ω	3	4
CVR-□□□-334	330k Ω		4
CVR-□□□-474	470k Ω	4	4
CVR-□□□-504	500k Ω	5	4
CVR-□□□-684	680k Ω	6	4
CVR-□□□-105	1.0M Ω	1	5
CVR-□□□-155	1.5M Ω	A	5
CVR-□□□-205	2.0M Ω	2	5
CVR-□□□-225	2.2M Ω		5

Rating

Specifications	Rating	
	CVR-4 Series	CVR-3 Series
Rated Power	0.2W (70°C)	0.1W (70°C)
Rated Voltage	100V	50V
Resistance Value	100 Ω -2.2M Ω	100 Ω -2.2M Ω
Resistance Tolerance	$\pm 30\%$	$\pm 30\%$
Resistance Change Linearity	Straight line "B"	Straight line "B"
Rotation Life	(20 rotations) $\pm 15\%$	(20 rotations) $\pm 15\%$
Torque	20-200g \cdot cm	20-200g \cdot cm
Rotation Angle	270° $\pm 20^\circ$	270° $\pm 20^\circ$
Operating Temp	-40°C~+100°C	-40°C~+100°C
T.C.R.	± 250 ppm/°C	± 250 ppm/°C

Code

(a)	(2)	(b)	Code (a)		Code (b)	
			(The first two significant figures)		(10 logarithmic multiplier)	
			Sign	Value	Sign	Value
			1	10	1	10 ¹
			A	15	2	10 ²
			2	20, 22	3	10 ³
			3	30, 33	4	10 ⁴
			4	47	5	10 ⁵
			5	50		
			6	68		

Example (a) 4 (b) 3 $\Rightarrow 47 \times 10^3 = 47 \text{ k}\Omega$

Additional information on this product is available from AVX's catalog or AVX's FAX Service. Call 1-800-879-1613 and request document #098. Visit our website <http://www.avxcorp.com>

















Thick Film Chip Trimmer Potentiometers



CVR-32 / CVR-42 / CVR-43 Series

Dimensions:

Item	Circuit Type	Equivalent Circuit	Dimensions (Unit:mm)
(Face) (Back)   CVR-43 Auto	A type		
	C type		
  CVR-42 Auto	A type		
	C type		
  CVR-43 Reverse	A type		
	C type		
  CVR-43 Standard	A type		
	C type		
  CVR-42 Standard	A type		
	C type		
  CVR-32 Standard	A type		
	A type		
  CVR-32 Auto	A type		
	A type		

Additional information on this product is available from AVX's catalog or AVX's FAX Service. Call 1-800-879-1613 and request document #099. Visit our website <http://www.avxcorp.com>

